

SAILDOOR[®] **PRODUCT GUIDE**

THE UNIQUE HIGH-SPEED FOLD-UP CLOSURE SYSTEM

SAILDOOR®

TABLE OF CONTENTS

SECTION 1 | SAILDOOR® - ENGINEERING THE UNSTOPPABLE – THE COMPETITIVE EDGE PAGE 4

SECTION 2 | INDUSTRIES OF EXCELLENCE: TRUSTED PERFORMANCE IN CRITICAL ENVIRONMENTS PAGE 6

SECTION 3 | PRECISION ENGINEERING FOR EXTREME DEMANDS - TECHNICAL SPECIFICATIONS PAGE 8

SECTION 4 | FEATURES & TECHNICAL DETAILS PAGE 10

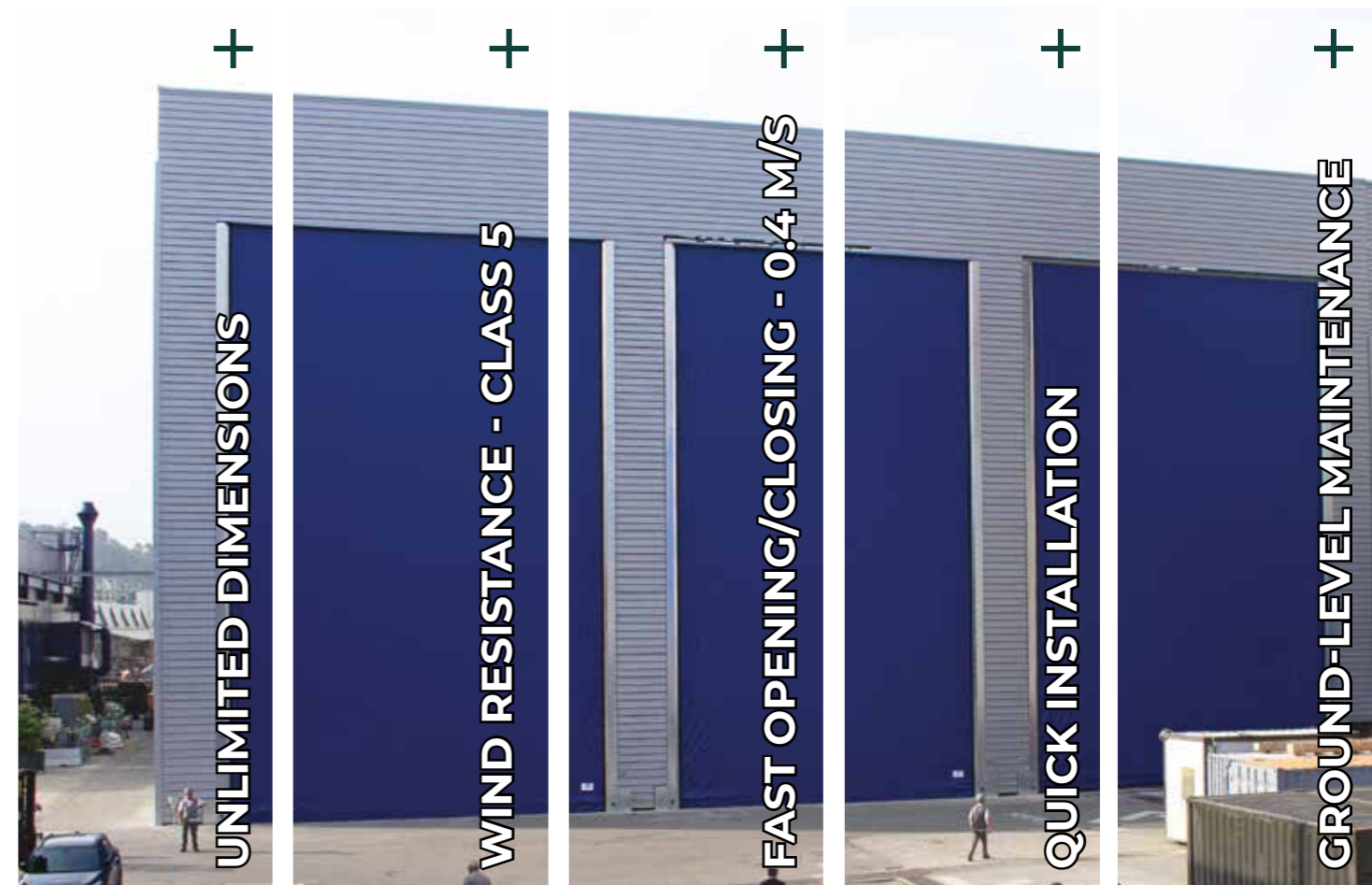
SECTION 5 | VALUE-ADDED SERVICES: PARTNERSHIP, NOT JUST PRODUCT PAGE 14

SECTION 6 | CERTIFICATIONS & QUALITY ASSURANCE: PROVEN EXCELLENCE PAGE 16

SECTION 7 | SAILDOOR® - CRAFTED FROM 70 YEARS OF ENGINEERING EXCELLENCE PAGE 18

SECTION 8 | SAILDOOR® - GALLERY PAGE 20

SAILDOOR® ENGINEERING THE UNSTOPPABLE – THE COMPETITIVE EDGE



MAIN FEATURES

Saildoor is a unique high-performance closure system designed to eliminate the compromises typical of traditional industrial doors. We've leveraged proprietary technology to create a product that delivers superior return on investment through optimized efficiency and minimized downtime.

SAILDOOR®'S PATENTED COMPETITIVE ADVANTAGES

1. UNRIVALED WIND LOAD RESISTANCE – CERTIFIED CLASS 5

When conditions are extreme, safety and continuity are non-negotiable. Saildoor proudly holds **the highest certified wind load rating—Class 5**, in accordance with the **EN 12424** standard, placing us among the global leaders. Additionally, Saildoor is certified under **EN 12444, Sec. 7.1** by the Italian Certification Body, Istituto Giordano, which confirms the **full structural integrity** of the door system. These certifications make Saildoor ideal for the most exposed environments, including coastal zones, high-altitude locations, and large industrial parks. Additionally, the materials used are specifically chosen for their resistance to **thermal shock** and aggressive **atmospheric conditions**, ensuring peak performance year after year.

2. MAXIMIZED OPERATIONAL SPEED AND ENERGY EFFICIENCY

Time is money, and air exchange leads to energy loss. Saildoor **maximizes opening and closing speeds** by completely eliminating the need for **heavy internal trusses and intermediate mullions**. This patented design simplification allows for smoother, faster operation compared to conventional fold-up doors. Saildoor **opens and closes at a constant speed of 0.4 m/s**, four times faster than the industry average. The result is **significantly improved logistical flow**, shorter vehicle waiting times, and measurable **energy savings** by minimizing the exposure of climate-controlled environments to external conditions.

3. MODULAR DESIGN AND CUSTOM-ENGINEERED ADAPTABILITY FOR ANY OPENING

Unlike off-the-shelf solutions, Saildoor is a **fully customizable system**. Our precision manufacturing process and the modular designs ensure the door is perfectly scaled and tailored to **any industrial environment or opening size**—no matter how

large or uniquely dimensioned. This commitment to custom engineering ensures that Saildoor fits perfectly while solving complex access and security challenges that standard doors simply cannot address.

4. FASTEST INSTALLATION AND UNCOMPLICATED, GROUND-LEVEL MAINTENANCE

Complex installations and servicing mean unnecessary downtime. Saildoor is engineered for **rapid deployment**. Its modular design and the strategic placement of **two independent gear motors at floor level** ensure the installation process is lightning-fast and minimally invasive. Critically, all servicing and maintenance tasks are **simplified, quick, and performed entirely at ground level**, eliminating the need for expensive lifts or scaffolding and drastically reducing service time and cost.

//SAILDOOR®

IS THE RESULT OF OUR HARD WORK. OUR PASSION FOR WHAT WE DO MAKES US PIONEERS IN OUR SECTOR.

INDUSTRIES OF EXCELLENCE: TRUSTED PERFORMANCE IN CRITICAL ENVIRONMENTS

HERE ARE THE KEY INDUSTRIES WHERE SAILDOOR'S RESILIENCE AND HIGH-SPEED EFFICIENCY MAKE IT THE UNDISPUTED CHOICE.

Saildoor stands out as the closure solution trusted across a wide range of industries. These sectors share a **critical need** for systems that combine exceptional resilience with efficiency, making our door the essential choice for maintaining uptime and safeguarding vital operations.



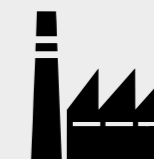
AEROSPACE

Ideal for securing large **aircraft and jet hangars**, where rapid access and protection from extreme winds are critical to safety and asset preservation.



MARINE

Built for highly corrosive **coastal environments** and **shipyards**, Saildoor's materials and **Class 5** wind load resistance ensure long-term operation despite constant exposure to salt spray and severe weather.



INDUSTRIAL & LOGISTICS

Optimizing operations in large-scale **production plants, warehouses, and distribution centers**. Its high-speed performance supports just-in-time logistics and helps minimize heat/cooling loss across busy traffic lanes.



EXTRACTIVE

Designed to operate reliably in the harsh conditions of **mining and quarry sites**, Saildoor withstands abrasive elements and extreme climates, providing robust environmental separation.



DEFENSE

Trusted in military installations and secure zones, where Saildoor ensures **unwavering reliability, regulatory compliance, and swift operation**—critical for facility security protocols.



MRO SERVICES

Essential for **Maintenance, Repair, and Overhaul (MRO)** centers, primarily in the aviation sector. Saildoor is engineered to handle large openings with frequent high-volume traffic, ensuring durable performance, rapid access, and reliable protection in high-traffic environments.



FOR CHALLENGING AND DEMANDING ENVIRONMENTS

Saildoor is engineered to excel where failure is not an option. Its resilience and high-speed operation make it the ideal solution for a wide range of demanding global industries.

PRECISION ENGINEERING FOR EXTREME DEMANDS

TECHNICAL SPECIFICATIONS

Every component of SaiLdoor is meticulously selected and manufactured to meet the highest standards of durability and performance.

This attention to detail ensures unwavering reliability in the most rigorous and demanding industrial settings worldwide. We utilize only top-tier, heavy-duty materials, guaranteeing that

the system resists fatigue, abrasion, and intense operational cycling without fail.

SaiLdoor is not merely assembled; it is precision-engineered to minimize wear and tear while maximizing.

Each element contributes to a closure system that refuses to compromise on quality or safety.

SAILDOOR®

INSTALLATION

Inside/Outside Building

SIDE COLUMNS

Shaped galvanized steel beams with roller bogies sliding inside. Protective housing made of press-formed galvanized steel sheet (optional painting available, RAL on request).

CROSSBEAM

Non-motorized, serving only as a curtain support.

MOTORS

Two independent gear motors positioned at floor level for easy maintenance, each located beside the respective column.



ENGINEERING EXCELLENCE: UNPACKING THE FEATURES THAT DELIVER UNMATCHED OPERATIONAL SECURITY AND EFFICIENCY

I. CORE RESILIENCE & DESIGN

SaiLdoor represents a quantum leap in **large-scale industrial closure technology**. Designed as a robust vertical-lifting fabric door, it is specifically built for the extreme demands of large aircraft hangars, shipyards, and critical industrial openings. At its core, it features a modular, high strength-to-weight design that ensures durability without unnecessary bulk. The patented structure is highly resistant to temperature fluctuations and atmospheric agents.

II. SPEED AND CERTIFIED WIND RESISTANCE

SaiLdoor combines high-speed operation with exceptional structural strength. With an **opening and closing constant speed of 0.4 m/s**, it ensures smooth, efficient access even in high-traffic environments. At the same time, SaiLdoor holds the highest certified **wind resistance rating—Class 5**—guaranteeing reliable performance and safety in the most exposed locations. This powerful combination maximizes operational efficiency without compromising durability.

III. LOGISTICS & SIMPLIFIED OPERATION

The entire patented system is engineered for simplicity and logistical efficiency: **installation is quick and easy**, and maintenance is dramatically simplified since all operations are performed from ground level. Thanks to its modular design, the door can be shipped in **compact, space-efficient dimensions**.

FEATURES & TECHNICAL DETAILS



01 // FEATURES

- Vertical-lifting fabric door designed for aircraft and shipyards hangars as well as large-sized industrial openings
- Modular, high strength-to-weight design
- Resistance to pressure difference **class 5** in accordance with **EN 12424** standard
- Tested according to **EN 12444 CH. 7.1**: complete door test
- High opening and closing speed
- No internal trusses or mullions
- Resistant to temperature fluctuations and atmospheric agents
- Compact shipping dimensions
- Quick and easy installation
- Easy maintenance – all operations performed from ground level
- Manual operation available in case of power failure
- Patented system



02 // TECHNICAL DETAILS

- **Lifting system:** Push-pull chain drive
- **Opening / closing speed:** 0.4 m/s (constant)
- **Compliance:** EN 13241 standard
- **Resistance to pressure difference:** Class 5 in accordance with EN 12424, tested according to EN 12444 Ch. 7.1 (complete door test)
- **Control system:** Deadman operation



03 // POWER SUPPLY

- **Nominal voltage:** 400V / 3-phase + neutral + earth
- **Frequency:** 50 Hz
- **Motor power:** Proportional to door size
- **Gear motors:** Floor-mounted



04 // SAFETY SYSTEMS

- **Fail-safe safety system:** The mechanical fall-arrest device prevents the curtain from dropping in case of chain breakage, thanks to a redundant safety chain.
- **Limit switches**
- **Emergency operation:** Manual via hand crank (slow) or battery-operated drill (fast)



05 // CURTAIN

- Self-extinguishing PVC, Class II, 670 g/m² or 900 g/m² (higher weights available on request), reinforced with steel cables connected to the columns via roller bogies
- Tear resistance: 3000 N / 5 cm
- **Standard colors:**



* The RAL code reference is indicative

- Other colors available on request

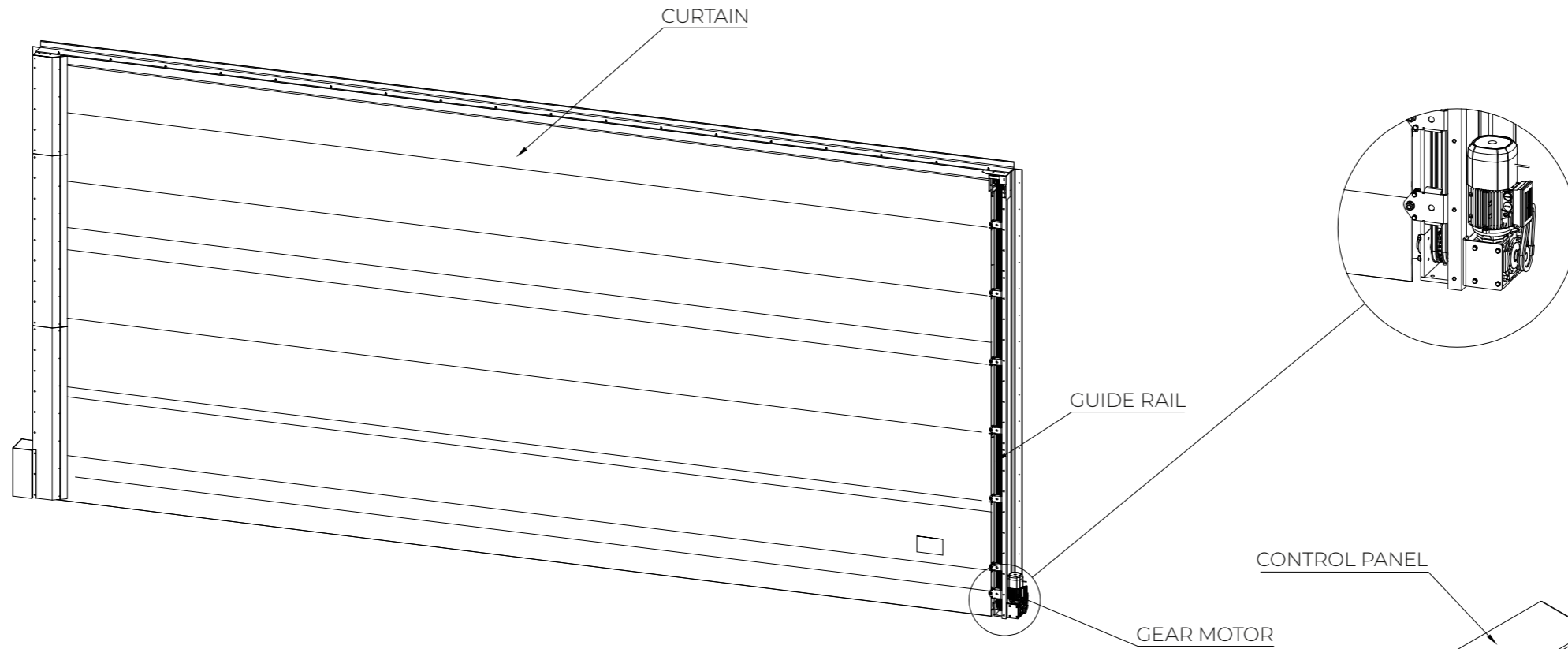


06 // OPTIONAL FEATURES

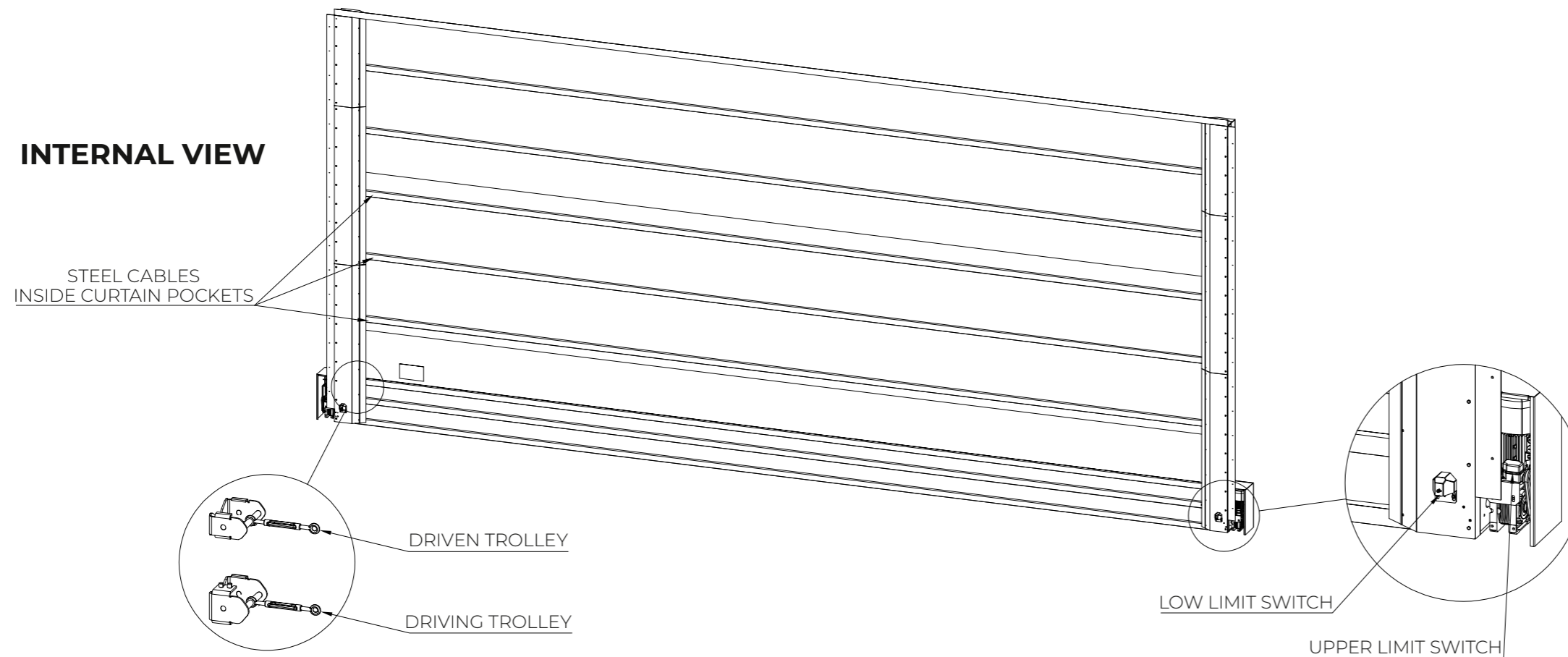
- Double curtain for enhanced thermal and acoustic insulation
- Protective housing painted instead of galvanized, RAL colour on request
- Windows or visibility stripes
- Custom curtain with company logo or personalized graphics

TECHNICAL DRAWINGS

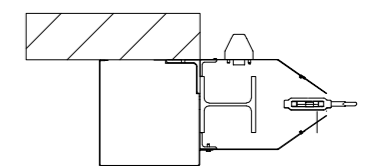
EXTERNAL VIEW



INTERNAL VIEW



TYPICAL PILLAR SECTION



VALUE-ADDED SERVICES

PARTNERSHIP, NOT JUST PRODUCT

At Apostoli Daniele, the sale of Saildoor marks the beginning of a true partnership. We are committed to providing **end-to-end support**, covering your entire project lifecycle **from A to Z**,

ensuring flawless integration and peak system performance. Our team of specialists offers comprehensive support that sets us apart from the competition:

001. // EXPERT CONSULTATION & CUSTOM IDEATION

We begin with an in-depth analysis of your specific operational challenges and the physical constraints of your facility. This ensures the delivery of a truly **bespoke, optimized solution** that meets all functional requirements.

002. // PRECISION TAILORED ENGINEERING

Leveraging our advanced R&D and manufacturing capabilities, we build each Saildoor to the exact specifications of our clients, guaranteeing the highest level of technological sophistication and seamless system integration.



003. // RAPID PROFESSIONAL INSTALLATION

Our specialized installation teams are trained to deploy Saildoor quickly and efficiently, minimizing disruption, ensuring a perfect fit, and validating immediate operational readiness.

004. // COMPREHENSIVE POST-SALE SUPPORT & MAINTENANCE

We offer dedicated maintenance and technical assistance to proactively **preserve** the system's high performance throughout its lifespan. Our goal is to ensure continuous operation and protect your long-term investment.

CERTIFICATIONS & QUALITY ASSURANCE: PROVEN EXCELLENCE

Our commitment to superior engineering is validated by adherence to rigorous global standards and official certifications. When you choose Saildoor, you are choosing certified, proven excellence.



01 // WORLD-CLASS WIND RESISTANCE CERTIFICATION

SAILDOOR HAS BEEN **OFFICIALLY TESTED AND CLASSIFIED TO WIND LOAD RESISTANCE CLASS 5** BY THE ITALIAN CERTIFICATION BODY ISTITUTO GIORDANO, IN ACCORDANCE WITH THE EUROPEAN STANDARD **EN 12424**, WHICH DEFINES THE WIND RESISTANCE CLASSIFICATION CRITERIA FOR INDUSTRIAL DOORS.



02 // STRUCTURAL INTEGRITY TESTING

THE **COMPLETE DOOR ASSEMBLY** HAS BEEN **TESTED UNDER WIND LOAD CONDITIONS** IN ACCORDANCE WITH THE EUROPEAN STANDARD **EN 12444, SECTION 7.1**, CONFIRMING THE **STRUCTURAL STABILITY AND PERFORMANCE OF THE SYSTEM UNDER PRESSURE LOADS**.



03 // SAFETY & OPERATIONAL COMPLIANCE

ALL SAILDOOR SYSTEMS ARE FULLY COMPLIANT WITH THE EUROPEAN STANDARD **EN 13241**, ENSURING CERTIFIED SAFETY, RELIABILITY, AND PERFORMANCE FOR INDUSTRIAL AND COMMERCIAL APPLICATIONS. THIS COMPLIANCE GUARANTEES THAT EVERY SAILDOOR INSTALLATION MEETS STRINGENT REQUIREMENTS FOR STRUCTURAL INTEGRITY, OPERATIONAL SAFETY, AND DURABILITY — ENSURING LONG-TERM PERFORMANCE EVEN IN DEMANDING ENVIRONMENTS.



04 // MANUFACTURING EXCELLENCE

ALL SAILDOOR SYSTEMS ARE MANUFACTURED AT OUR MONTIRONE PLANT UNDER **CONTROLLED AND STANDARDIZED PRODUCTION PROCESSES**. EACH UNIT IS SUBJECT TO **DIMENSIONAL, STRUCTURAL, AND FUNCTIONAL VERIFICATION** BEFORE DISPATCH, GUARANTEEING **PRECISION ASSEMBLY AND REPEATABLE PRODUCT PERFORMANCE**.



SAILDOOR® CRAFTED FROM 70 YEARS OF ENGINEERING EXCELLENCE

ABOUT US

SAILDOOR® THE NEXT GENERATION OF INDUSTRIAL CLOSURES

For nearly **seven decades**, Apostoli Daniele has been at the forefront of engineering excellence. Since our founding in **1959**, we have dedicated ourselves to manufacturing cutting-edge industrial closure solutions that **improves the performance**, safety, and energy efficiency of facilities worldwide. Our core mission is to protect your assets while enhancing crucial operational performance factors such as **thermal regulation, overall energy efficiency, protection from atmospheric agents, and improved logistics flow.**

A Legacy of Innovation Culminates in Saildoor

Apostoli Daniele's journey has always been driven by a commitment to technological innovation. From our early days in the industrial closure sector, we have continuously sought to improve and evolve. This long history of solving complex operational and

structural challenges directly led to the development of **Saildoor.**

Saildoor is not just an evolution; it's a revolution in the world of high-performance industrial fold-up doors. Fully **conceived, meticulously engineered, and proudly patented** within our specialized Montirone facility, Saildoor was designed to meet the demanding requirements of **extra-large industrial openings.** It is the culmination of our ongoing commitment to **speed, safety, and long-term operational excellence.**

Saildoor represents the pinnacle of Apostoli Daniele's research and development in the field of industrial closures. This innovative system is engineered to provide optimal performance and reliability, even in the most challenging environments, ensuring maximum efficiency and protection for your operations.

WHEN WORK BECOMES A A LIFETIME PASSION

SAILDOOR® IS PROOF THAT THE MOST ADVANCED INNOVATION IS DEEPLY ROOTED IN OUR FAMILY HISTORY: A CUTTING-EDGE TECHNOLOGY CONCEIVED AND DESIGNED BY MY GRANDFATHER'S VISIONARY GENIUS AND BROUGHT TO LIFE BY OUR TECHNICAL TEAM.

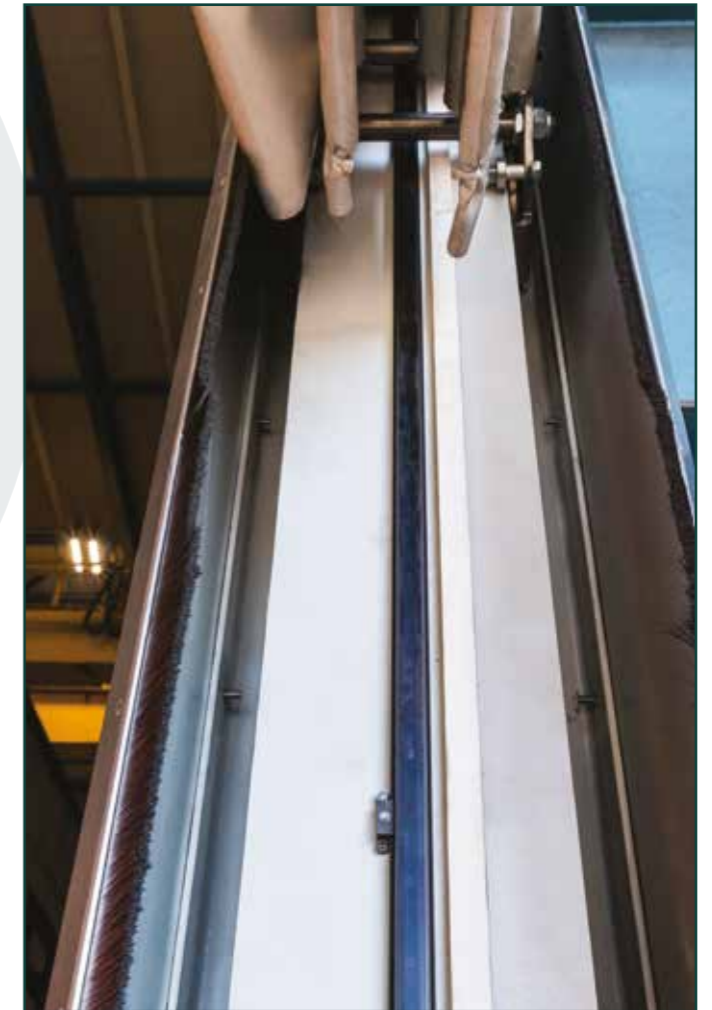
THIS IS HOW WE HONOR THE PAST WHILE BUILDING THE FUTURE.



WITH SAILDOOR WE UNITE THE RESILIENCE OF THE PAST, FOUNDED BY MY GRANDFATHER, WITH OUR VISION FOR THE FUTURE: IT IS HOW WE CREATE INDUSTRIAL AND TECHNOLOGICAL INNOVATION."

- LUCA SCALVENZI APOSTOLI, CEO

SAILDOOR® GALLERY





SAILDOOR®

PROUD TO SUPPORT YOUR BUSINESS WITH INDUSTRY-LEADING CLOSURE SOLUTIONS

THE UNIQUE HIGH-SPEED FOLD-UP CLOSURE SYSTEM



CONTACTS

HEADQUARTERS

Via Palazzo 25010 – Montirone, Brescia (Italy)

Telephone: +39 030 2170484

E-mail: info@saildoor.com

G.C.C. TRADE REPRESENTATIVE OFFICE

Corniche Road - Building 36 - 1st floor - Office no: R5, Doha (Qatar)

Telephone: (+974) 4402 3925 - Fax: (+974) 4436 6673

E-mail: gcc@saildoor.com